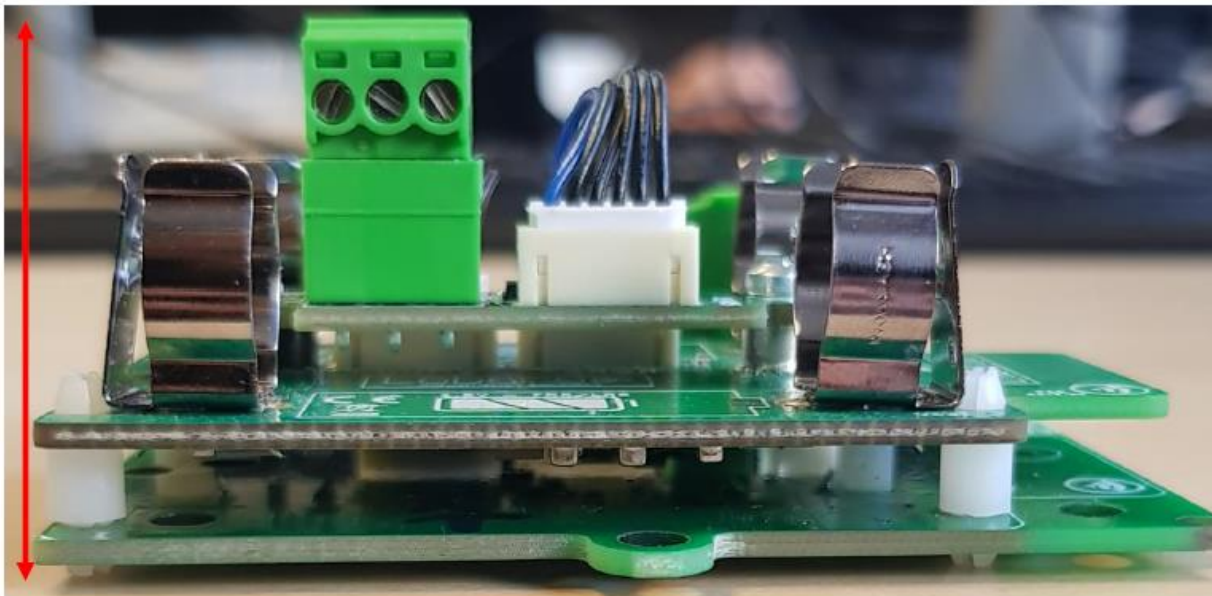
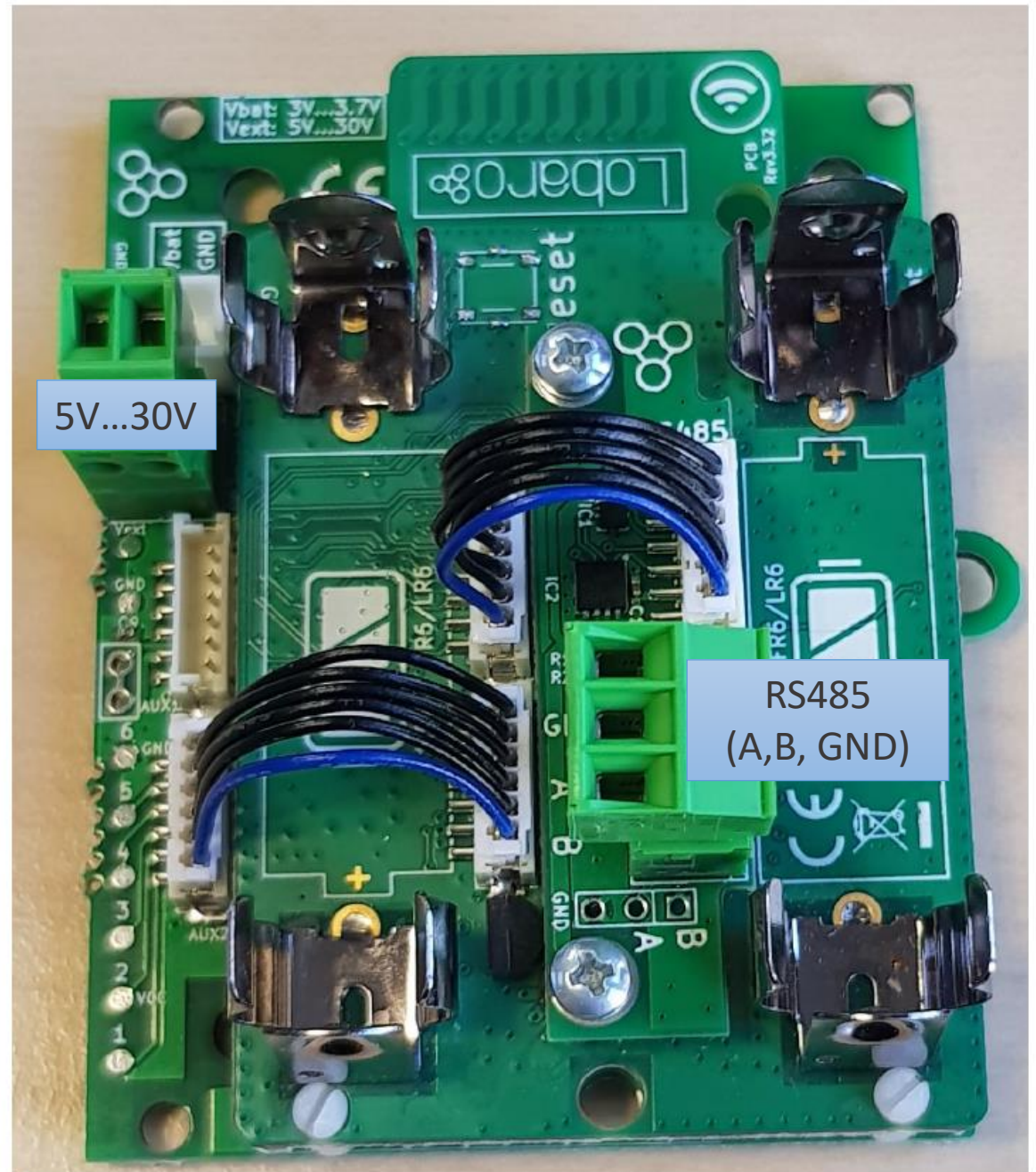
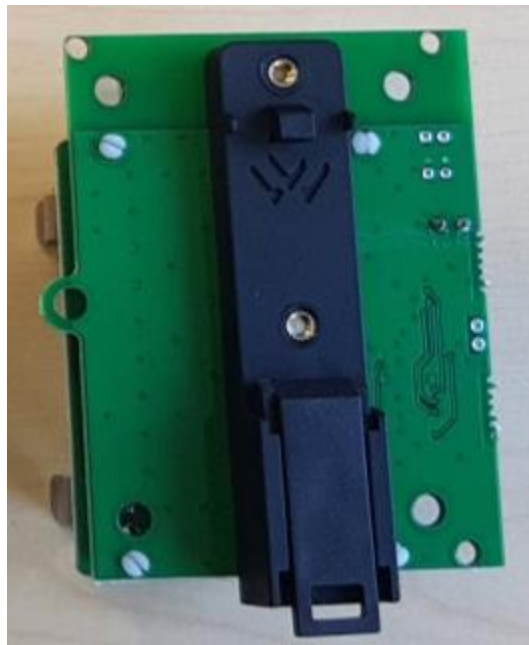


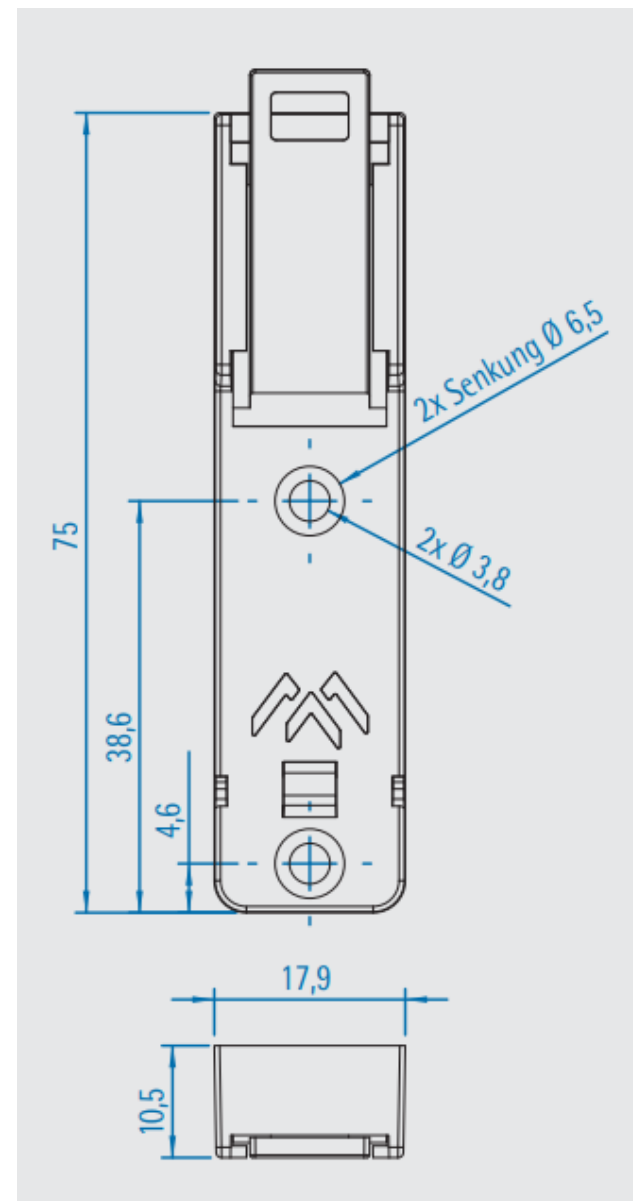
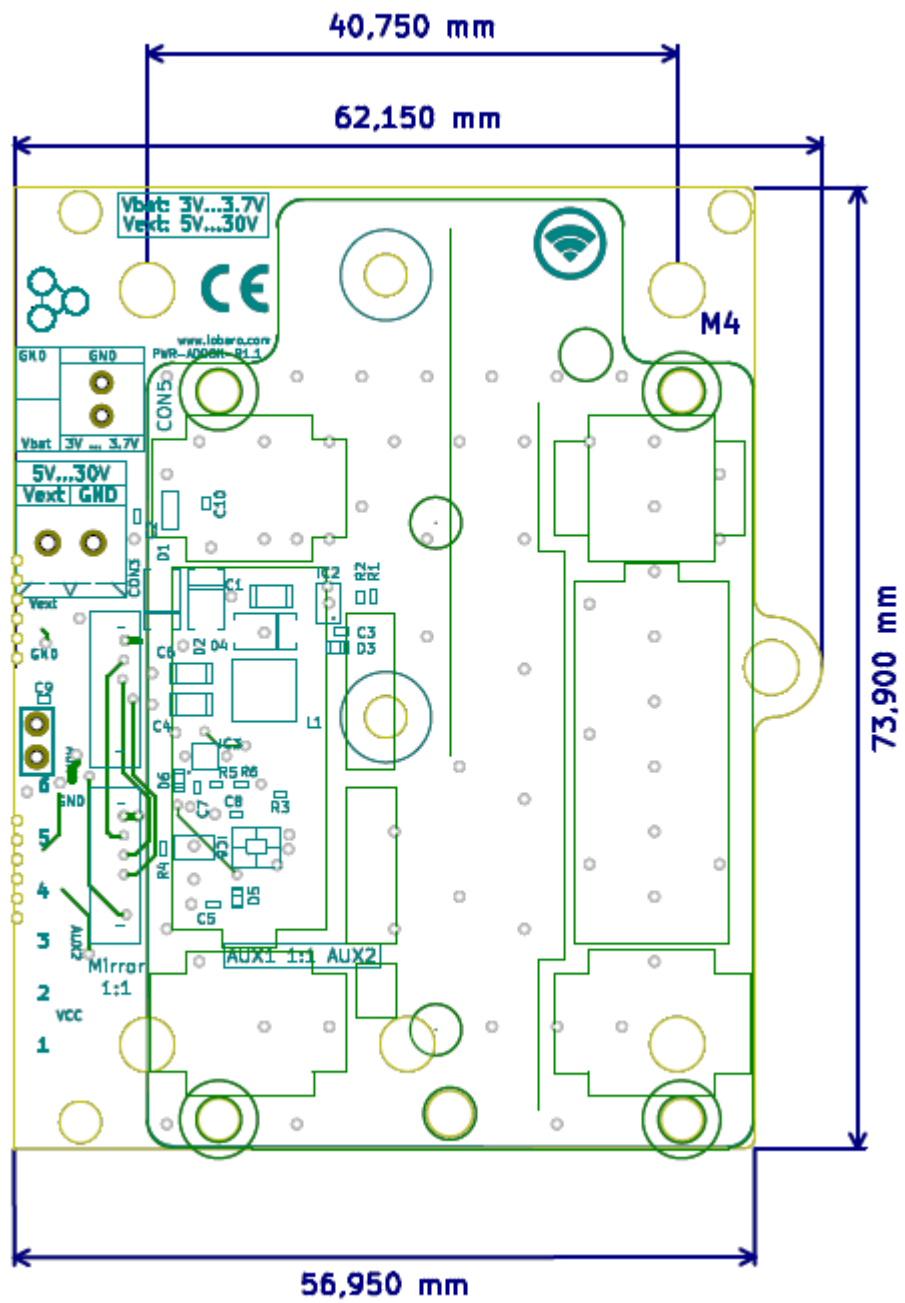
Modbus / RS485 LoRaWAN Bridge

- Supply: Ext. 5V...30V
- Modbus: ASCII / RTU
- 73,9mm (b) x 62,2 mm (l) x 44,5 mm (h)
- 35mm DIN-Rail holder

- Order-Number: **8000043**



34mm





Modbus / RS485 LoRaWAN Bridge (D-Cell Variant)

- Supply: 3.6V (19Ah) Battery
- Modbus: ASCII / RTU
- IP67 Housing
- 122 mm (b) x 72 mm (l) x 55 mm (h)
- 35mm DIN-Rail holder

- Order-Number: **8000041**